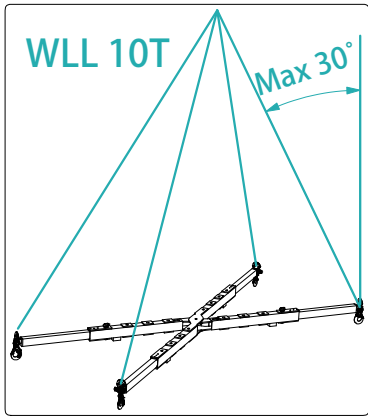


alutex¹⁰⁺



*Measured from end of lifting lug to end of lifting lug

Max Load: 10 ton
Material: Aluminium
Weight: 75 kg

For larger lifting angles the maximum load needs to be limited as follows:

- 35° = 9.7tn max.
- 40° = 8.1tn max.
- 45° = 6.8tn max.
- 50° = 5.7tn max.
- 55° = 4.8tn max.
- 60° = 3.9tn max.

