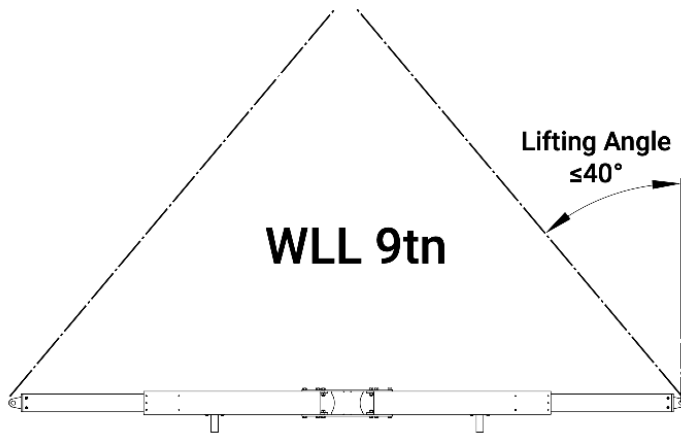


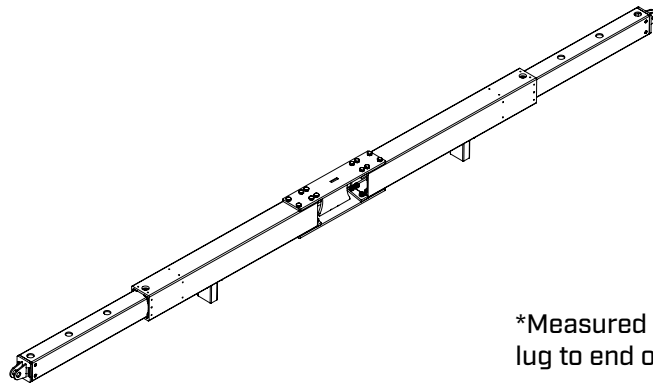
aluxSTR9

Max Load: 9 ton
Material: Aluminium/Steel
Net Weight: 45 kg



For larger lifting angles the maximum load needs to be limited as follows:

45° = 7.8 tons max.
50° = 6.8 tons max.
60° = 4.7 tons max.



*Measured from end of lifting lug to end of lifting lug

